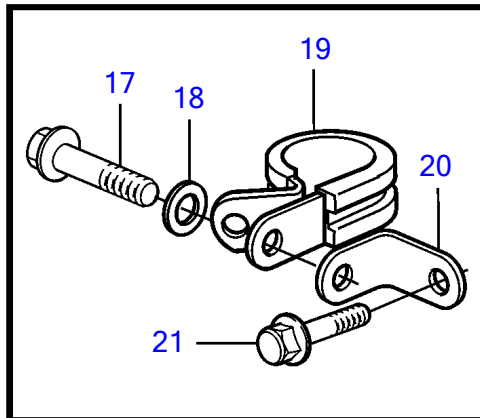
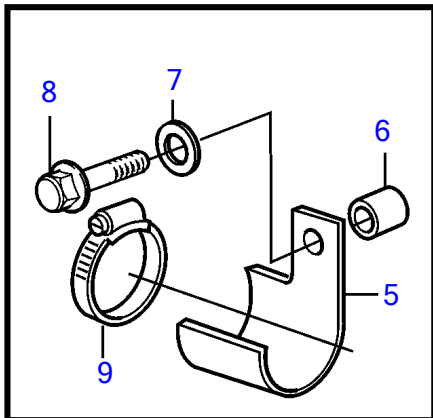
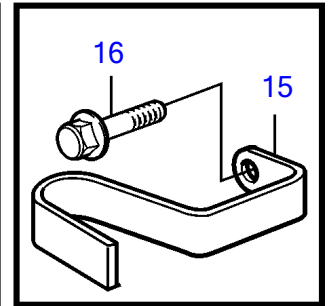
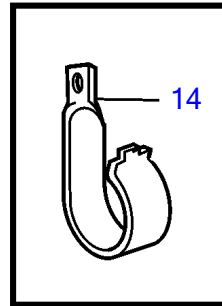
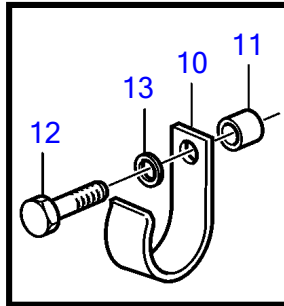
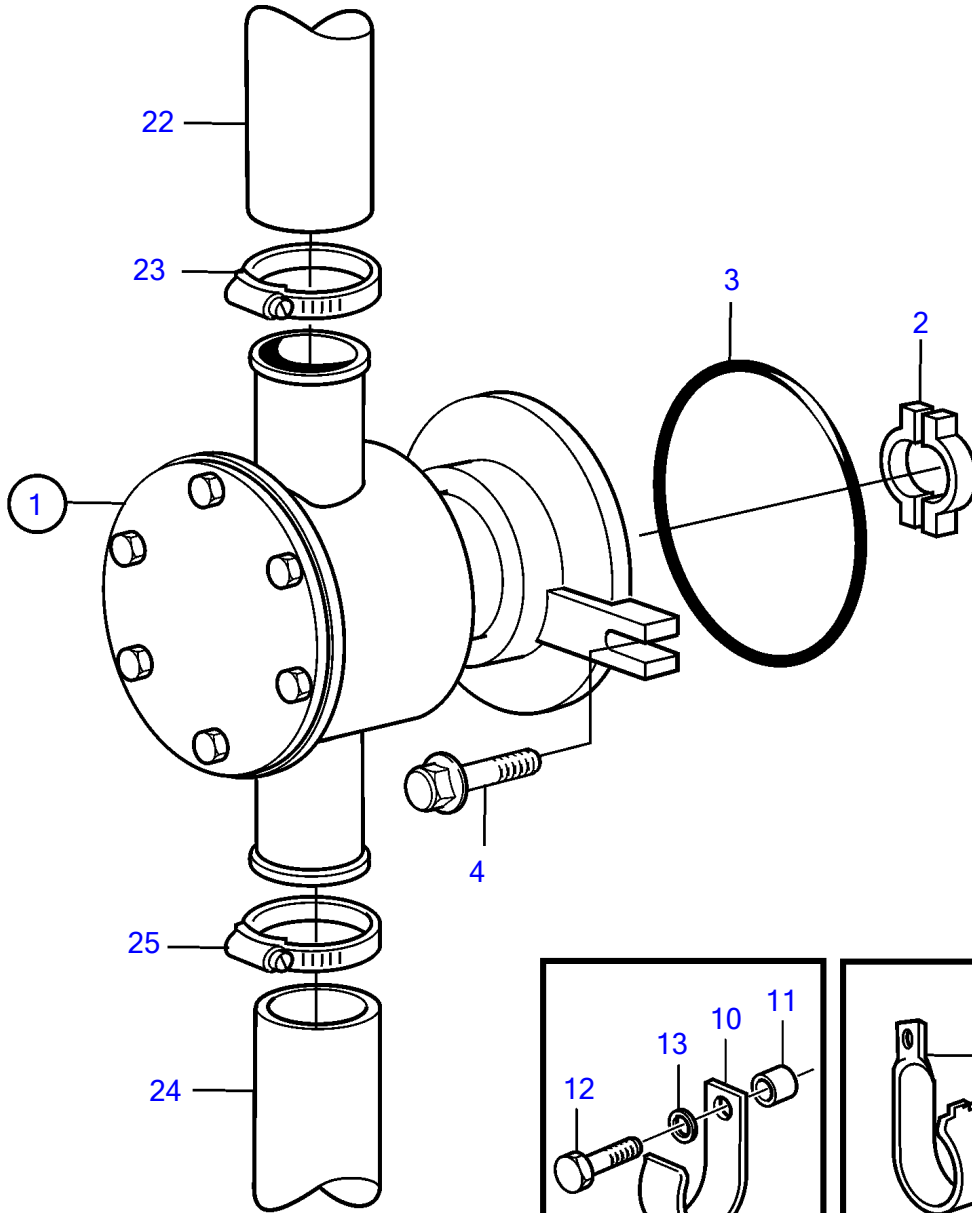


AD41L-A, AD41P-A, D41L-A



AD41L-A, AD41P-A, D41L-A

REF	PART NO.	QTY	DESCRIPTION	SEE SEC.	NOTES
1	860629	1	Sea water pump		
			.		
			.	3399	
	3581558	1	Sea water pump		
			.		
			.	6012	
	3583115	1	Sea water pump		
			.		
			.	6012	
2	858467	1	Companion flange		
3	968971	1	O-ring		
4	946173	2	Flange screw		
5	3580758	1	Bracket		
6	843075	1	Spacer sleeve		
7	955894	1	Washer		
8	945444	1	Flange screw		
9	961669	1	Hose clamp		
10	857045	1	Clamp		
11	843075	1	Spacer sleeve		
12	945444	1	Flange screw		
13	955894	1	Washer		
14	834974	1	Clamp		
15	861387	1	Bracket		
16	947760	1	Flange screw		
17	948746	1	Flange screw		
18	955893	1	Washer		
19	952640	1	Clamp		
20	846780	1	Bracket		
21	965181	1	Flange screw		
22	860997	1	Hose		Sea water pump-oil cooler.
23	943476	1	Hose clamp		
24	861738	1	Hose		Intake-sea water pump.
		X	Hose		For universal joint shaft installations, Inlet-water pump.
25	961669	2	Hose clamp		

7742700-26-9823

23081

Upd:2011-09-28